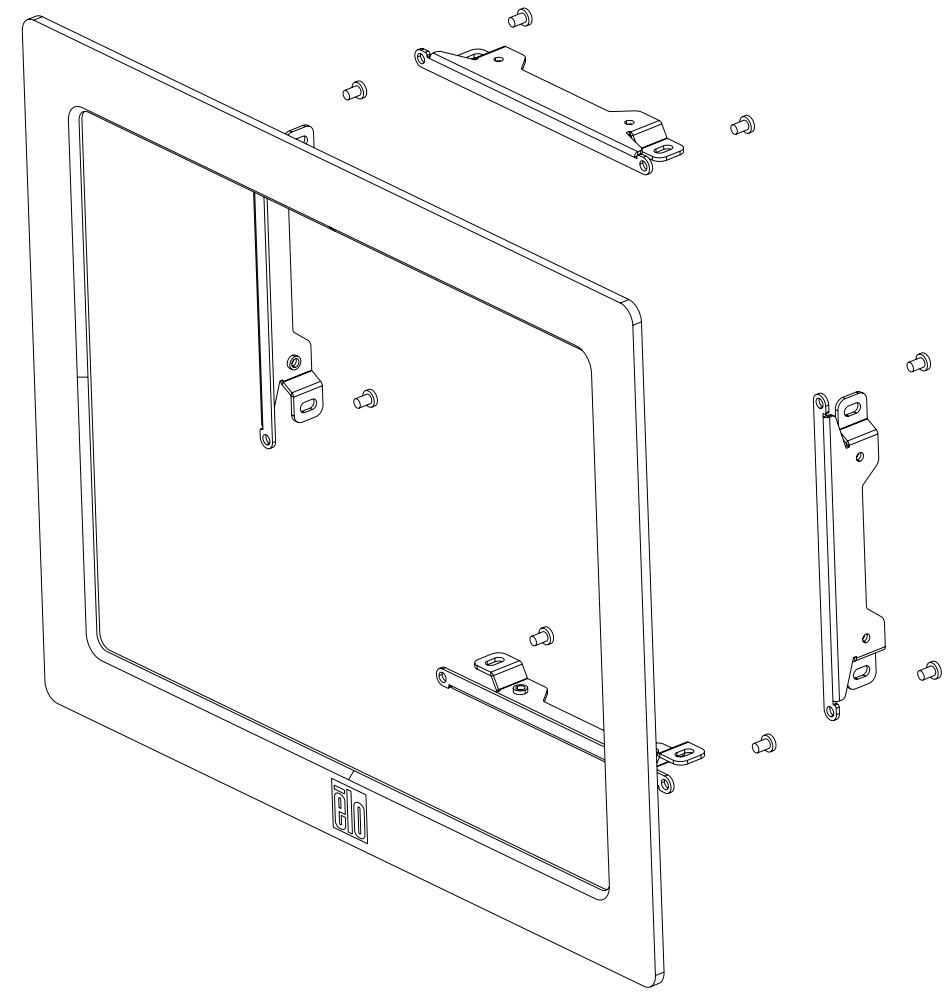
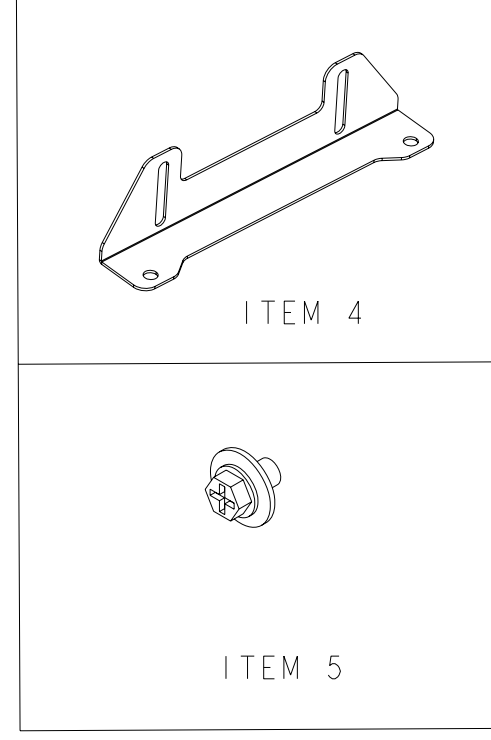
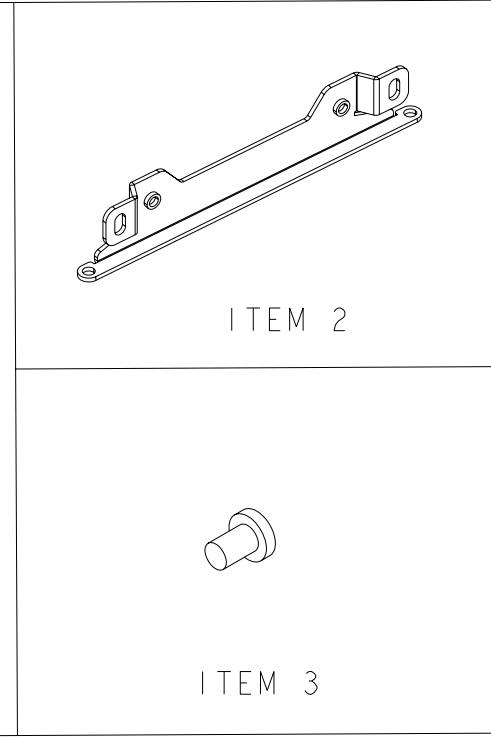
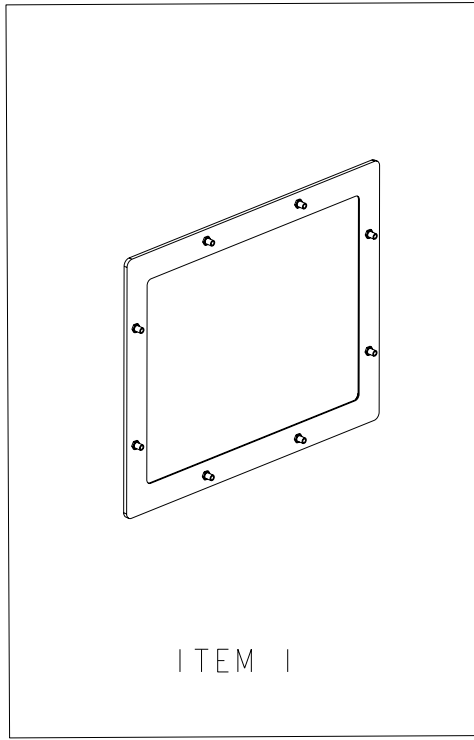


PROPRIETARY TO ELO TOUCHSYSTEMS, INC. AND SHALL NOT BE DISCLOSED OTHER THAN TO NECESSARY EMPLOYEES OR SUPPLIERS WITHOUT THE EXPRESS WRITTEN CONSENT OF ELO TOUCHSYSTEMS INC.

REVISIONS					
REV	ZONE	BY	DESCRIPTION	DATE	APPROVED
A	--	JH	RELEASE PER ECO 6525	01.10.07	



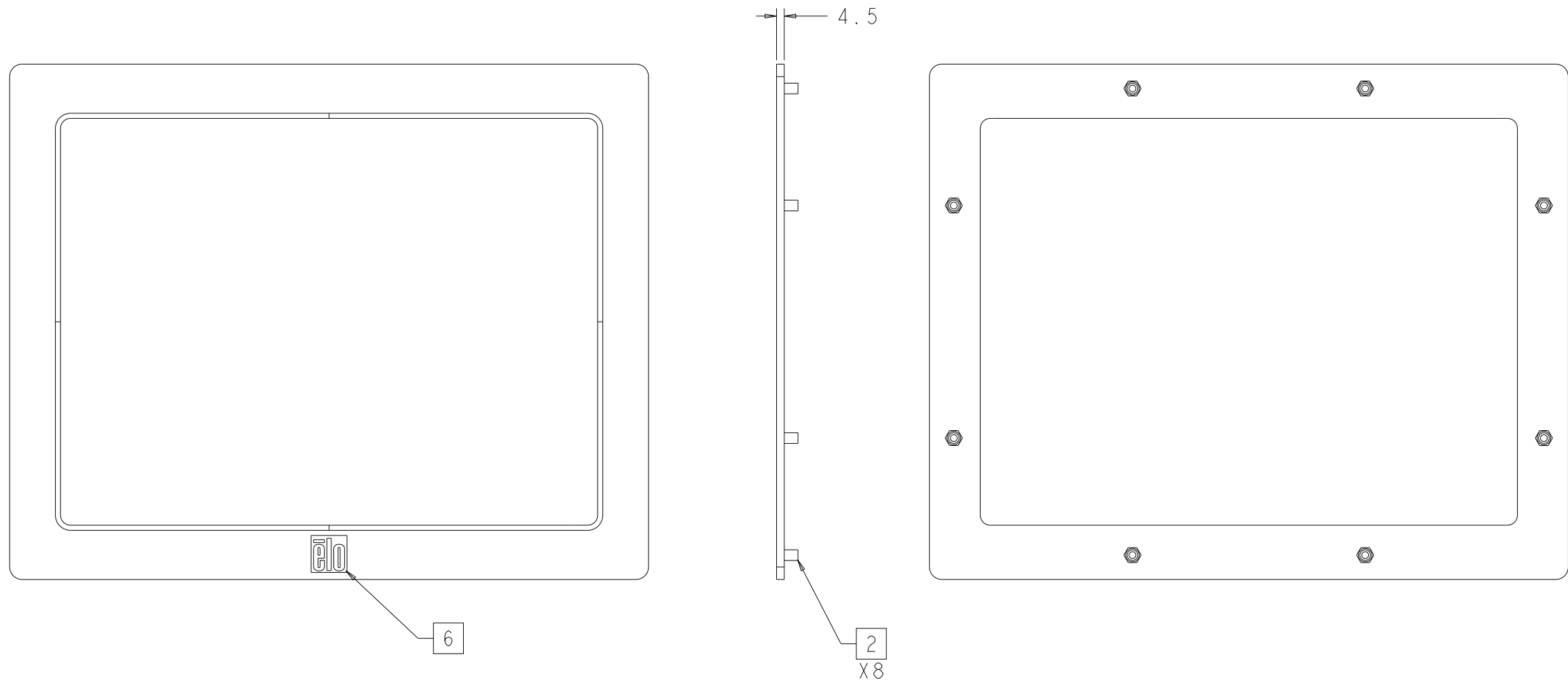
NOTES (UNLESS OTHERWISE SPECIFIED):

1. ALL MATERIAL AND COATING TO BE RoHS COMPLIANT.
2. PACKAGING INSTRUCTIONS:  
 COMBINE ALL ITEM 4 BRACKETS IN ONE BAG.  
 COMBINE ALL ITEM 5 SCREWS IN ONE BAG.  
 PUT ITEM 5 BAG INTO ITEM 4 BAG.  
 ASSEMBLE ITEM 4 BRACKETS TO ITEM 1 BEZEL USING ITEM 3 SCREWS.  
 PUT BEZEL ASSEMBLY AND ITEM 4+5 BAG INTO BOX.

ITEM NO.	QTY REQ'D	FILE NAME OR PART NO.	DESCRIPTION	SHEET NO.
5	8		SCREW, M4 X 6 HEX HEAD, CROSS-RECESS	-
4	4		BRACKET 2, 15 INCH	1.0mm PRE-PLATE
3	8		SCREW, M4 X 6 PAN HEAD	-
2	4		BRACKET 1, 15 INCH	1.6mm PRE-PLATE
1	1		ASSEMBLY, BEZEL FRONT MOUNT, 15 INCH.	ALUM, 5052 H34, 4.5MM THK

PART. NO. <b>E323425</b>		UNLESS OTHERWISE SPECIFIED ALL DIMENSIONS ARE IN MILLIMETERS		DRAWN JEFF HALLER	DATE 01.07.07	TITLE ELO-15INCH, FRONTMOUNT-BEZ-R					
METRIC		TOLERANCES ARE: DECIMALS    ANGLES X : ± 0.50    °    ±1/2° .XX: ± 0.25    FRACTIONS    ±1/32		CHECK	DATE	DESIGN JEFF HALLER			DATE 01.07.07		
DO NOT SCALE DRAWING		THIRD ANGLE PROJECTION				SIZE D		SCALE 1:4	SHEET 1 OF 4	DWG. NO. <b>SD600616</b>	REV <b>A</b>
ProjE_prt1.asm 1537_FRONT_MOUNT_TOP.PRT		ProjE_drw: SD600613.DRW								© ELO TOUCHSYSTEMS	

PROPRIETARY TO ELO TOUCHSYSTEMS, INC. AND SHALL NOT BE DISCLOSED  
OTHER THAN TO NECESSARY EMPLOYEES OR SUPPLIERS WITHOUT THE  
EXPRESS WRITTEN CONSENT OF ELO TOUCHSYSTEMS, INC.



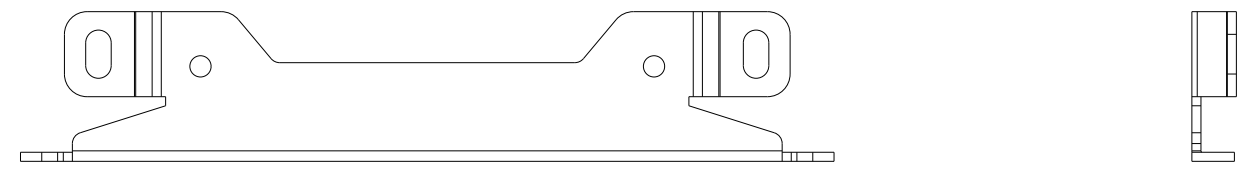
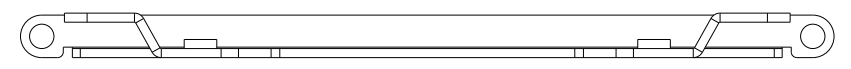
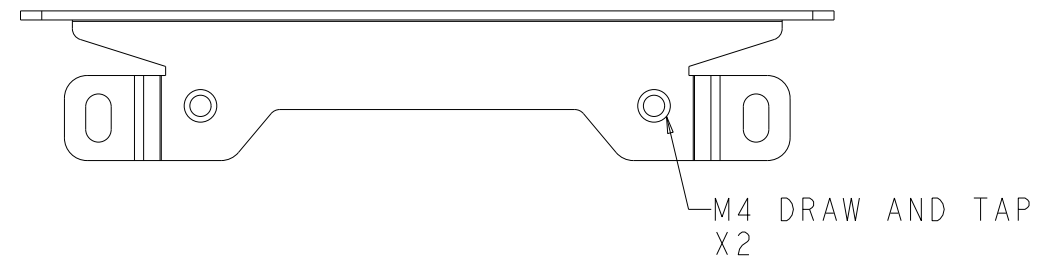
NOTES (UNLESS OTHERWISE SPECIFIED):

- 1. ALL MATERIAL AND COATINGS TO BE ROHS COMPLIANT.
- 2 USE PEM CONSEALED-HEAD CSOS-M4 X 8 STANDOFFS OR EQUIVALENT.
- 3. DEBURR ALL EDGES PRIOR TO ANODIZING.
- 4. MATERIAL: ALUMINUM, 5052-H34
- 5. FINISH: HARD BLACK ANODIZE.
- 6 ELO LOGO: PANTONE COOL GREY 9C.

TITLE		ELO-15 INCH, FRONTMOUNT-BEZ-R		
SIZE	SCALE	SHEET	DWG. NO.	
D	1:4	2 OF 4	SD600616	A

SHT 2 OF 4 REV A

8 7 6 5 4 3 2 1  
D  
C  
B  
A  
PROPRIETARY TO ELO TOUCHSYSTEMS, INC. AND SHALL NOT BE DISCLOSED  
OTHER THAN TO NECESSARY EMPLOYEES OR SUPPLIERS WITHOUT THE  
EXPRESS WRITTEN CONSENT OF ELO TOUCHSYSTEMS, INC.



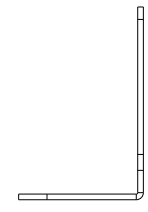
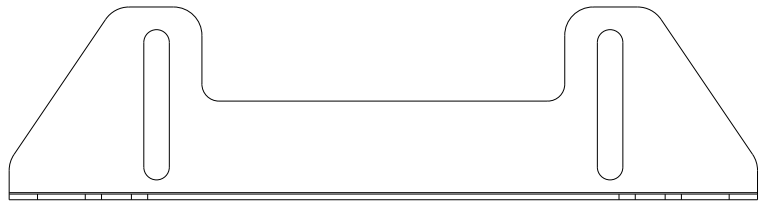
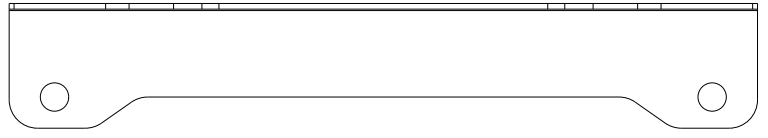
NOTES (UNLESS OTHERWISE SPECIFIED):

- 1. ALL MATERIAL AND COATING TO BE ROHS COMPLIANT.
- 2. REMOVE BURRS AND SHARP EDGES.
- 3. MATERIAL: 1.6mm PRE-PLATE.

TITLE		ELO-15 INCH, FRONTMOUNT-BEZ-R		
SIZE	SCALE	SHEET	DWG. NO.	
D	1:4	3 OF 4	SD600616	A


DRG. NO. SD600616  
SHT 3 OF 4  
REV A

PROPRIETARY TO ELO TOUCHSYSTEMS, INC. AND SHALL NOT BE DISCLOSED  
OTHER THAN TO NECESSARY EMPLOYEES OR SUPPLIERS WITHOUT THE  
EXPRESS WRITTEN CONSENT OF ELO TOUCHSYSTEMS, INC.



NOTES (UNLESS OTHERWISE SPECIFIED):

- 1. ALL MATERIAL AND COATING TO BE RoHS COMPLIANT.
- 2. REMOVE BURRS AND SHARP EDGES.
- 3. MATERIAL: 1.0mm PRE-PLATE.

TITLE		ELO-15 INCH, FRONTMOUNT-BEZ-R		
SIZE	SCALE	SHEET	DWG. NO.	
D	1:4	4 OF 4	SD600616	A

SD600616  
SHT 4 OF 4  
REV A